

Technical data sheet



Product features

Fry Top Griddle 65x48 gas durable chrome smooth desktop

| | | |
|--------------|-----------------|----------|
| Model | SAP Code | 00021138 |
|--------------|-----------------|----------|



- Top type: Smooth
- Griddle dimensions [mm x mm]: 650 x 480
- Griddle thickness [mm]: 10.00
- Container for liquid fat: Yes
- Independent heating zones: Separate control for each heating zone
- Maximum device temperature [°C]: 300
- Surface finish: durable chrome
- Removable rim: No
- Ignition: Piezo

| | | | |
|------------------------|----------|-------------------------------------|-----------------------------|
| SAP Code | 00021138 | Power gas [kW] | 8.000 |
| Net Width [mm] | 658 | Type of gas | Propane butane, natural gas |
| Net Depth [mm] | 598 | Griddle dimensions [mm x mm] | 650 x 480 |
| Net Height [mm] | 285 | Top type | Smooth |
| Net Weight [kg] | 45.00 | | |

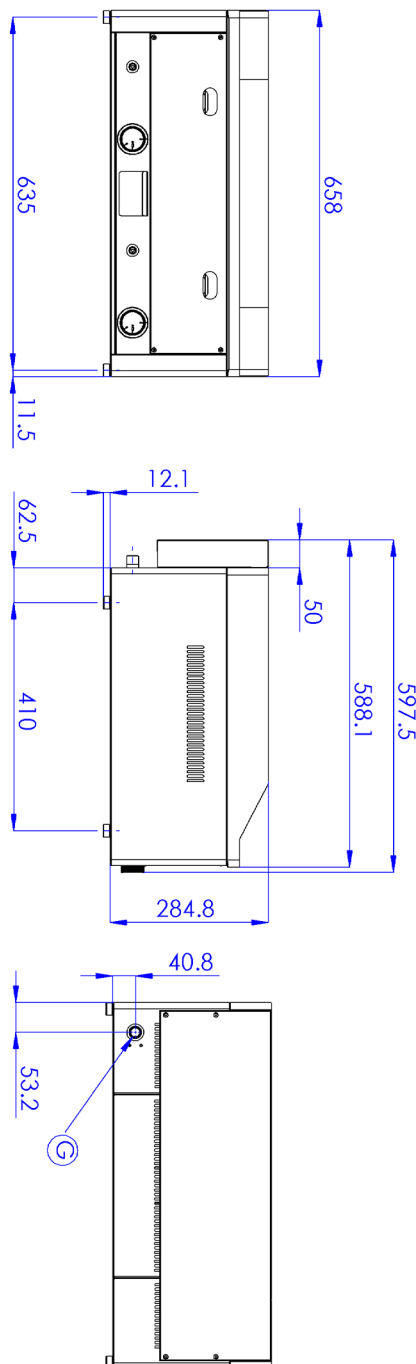
Technical data sheet



Technical drawing

Fry Top Griddle 65x48 gas durable chrome smooth desktop

| | | |
|--------------|-----------------|----------|
| Model | SAP Code | 00021138 |
|--------------|-----------------|----------|



Technical data sheet



Product benefits

Fry Top Griddle 65x48 gas durable chrome smooth desktop

Model

SAP Code

00021138

1

Safety element - thermocouple

Safe service for staff
There is no unnecessary gas leakage
long life

- Savings on service interventions
- easy and faster service

2

Nationheres

long life
stainless steel resistance of AISI 304
the material does not rue

- Savings on service interventions
- easy cleaning of the device

3

Degree of protection of controls IPX4

maintenance -free
water resistance
long life

- Savings on service interventions
- easy cleaning of the device

4

Waste fluid socket

ensures oil dripping into a socket

- easy maintenance
- easy to clean

5

Tall non -removable hem

Better Hygienic Conditions
Preventing fat spraying on a secondary device

- easy maintenance
- easy to clean

6

Chrome steel plate

The product is less baked and cleaned better
good warming of meat with groove

- saving time when preparing meals
- There is no disabled and long preparation of dishes

7

A kernel for use on a table or on a bedding

variable
Possibility to place in smaller spaces

- easy manipulation
- saving costs on the bedding

Technical data sheet



Technical parameters

Fry Top Griddle 65x48 gas durable chrome smooth desktop

Model

SAP Code

00021138

1. SAP Code:

00021138

2. Article group:

Frying plates

3. Net Width [mm]:

658

4. Net Depth [mm]:

598

5. Net Height [mm]:

285

6. Net Weight [kg]:

45.00

7. Gross Width [mm]:

640

8. Gross depth [mm]:

725

9. Gross Height [mm]:

410

10. Gross Weight [kg]:

50.00

11. Device type:

Gas unit

12. Construction type of device:

Table top

13. Power gas [kW]:

8.000

14. Ignition:

Piezo

15. Type of gas:

Propane butane, natural gas

16. Protection of controls:

IPX4

17. Material:

AISI 430

18. Surface finish:

durable chrome

19. Maximum device temperature [°C]:

300

20. Minimum device temperature [°C]:

50

21. Adjustable feet:

Yes

22. Griddle dimensions [mm x mm]:

650 x 480

23. Griddle thickness [mm]:

10.00

24. Container for liquid fat:

Yes

25. Independent heating zones:

Separate control for each heating zone

26. Removable rim:

No

27. Uniform heating:

Yes

28. Top type:

Smooth